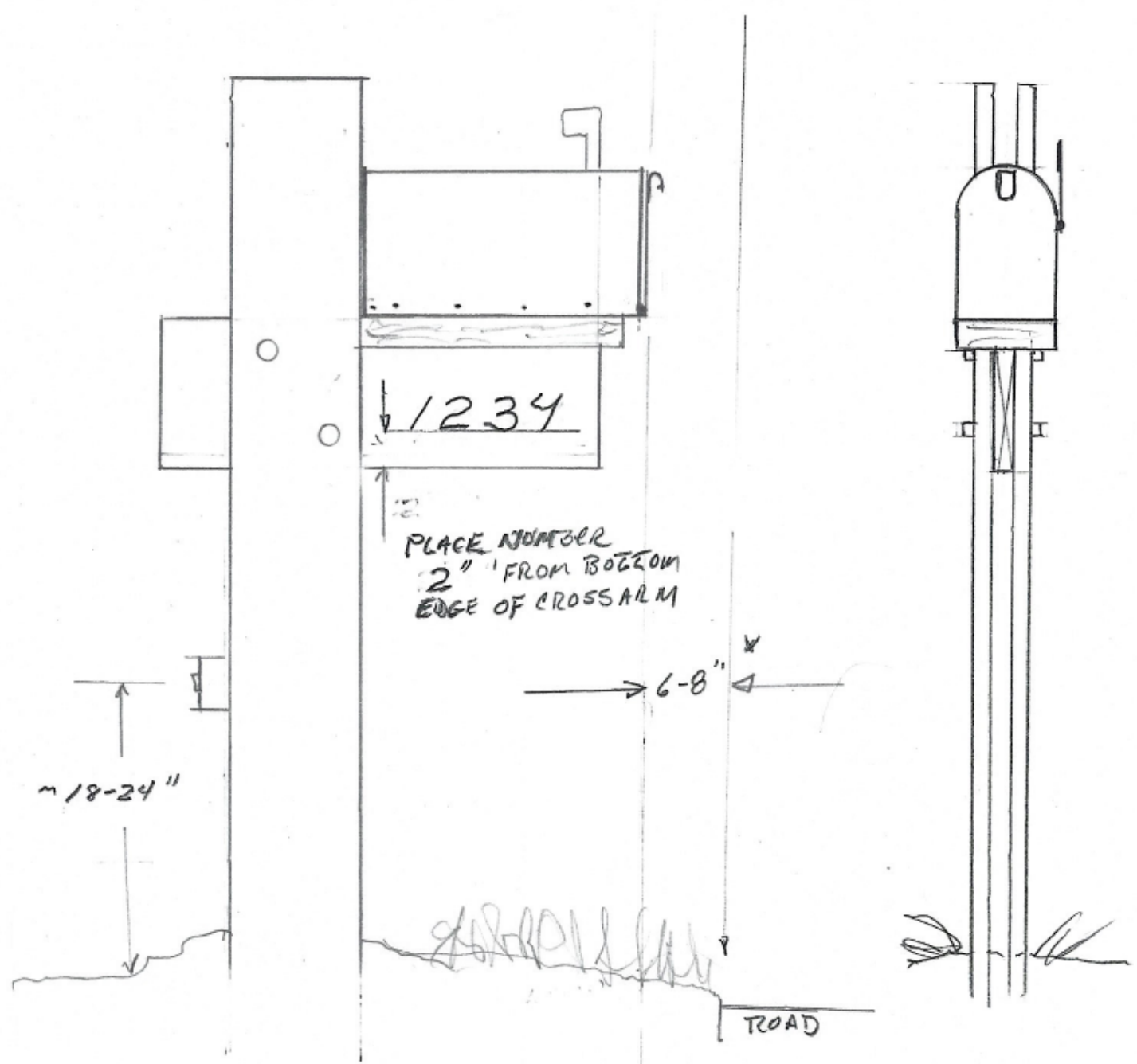


10/31/23
SH 1/5

RIVER LANDING MAILBOX DESIGN

INSTALLATION AND CONSTRUCTION DETAILS



PLACE NUMBER
2" FROM BOTTOM
EDGE OF CROSS ARM

~ 18-24"

6-8"

ROAD

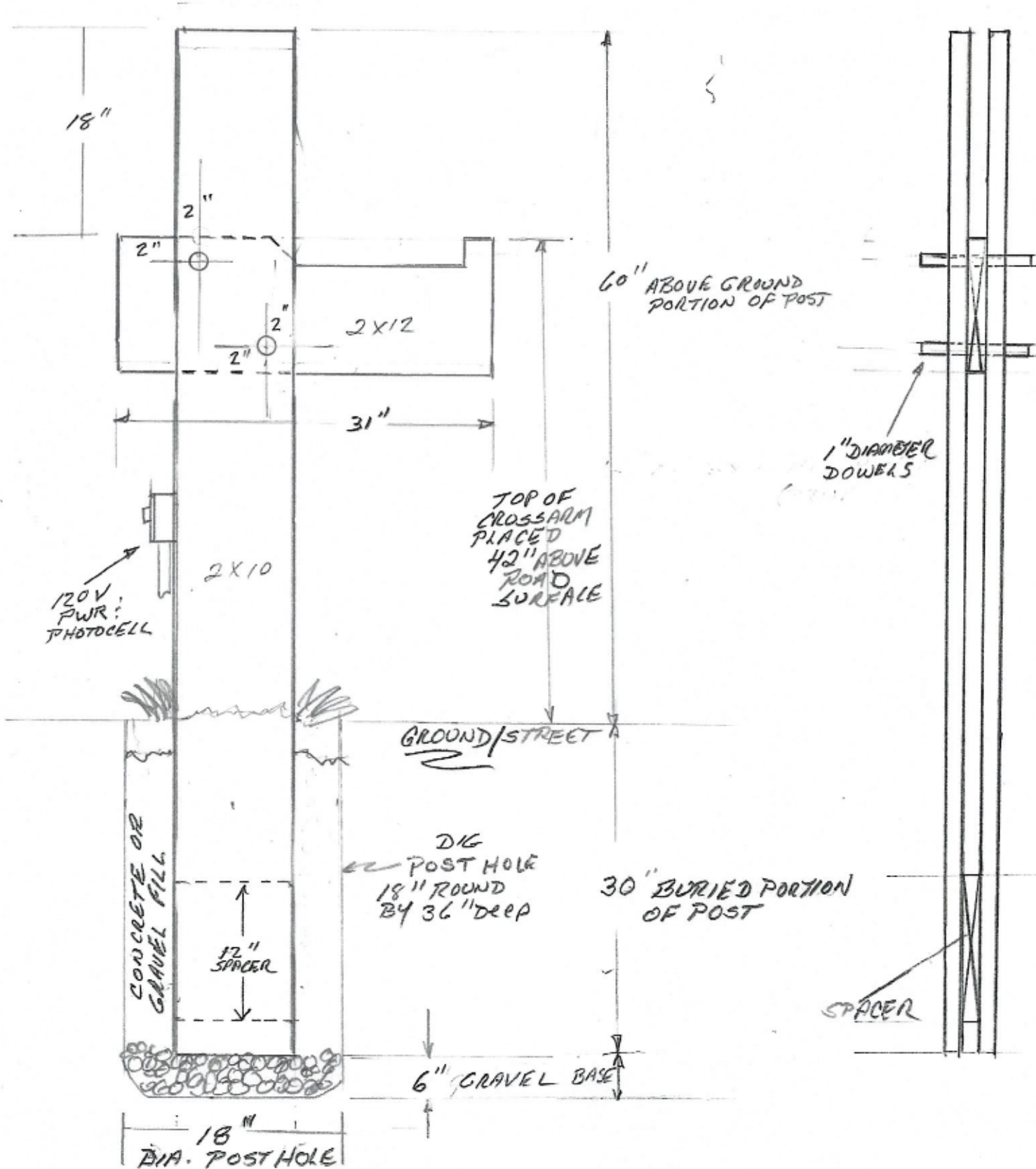
* PER USPS MAILBOXES DOORS SHALL
BE POSITIONED 6-8' FROM
ROAD EDGE

1" = 12"

10/31/23
SH 2/5

RIVER LANDING MAILBOX DESIGN

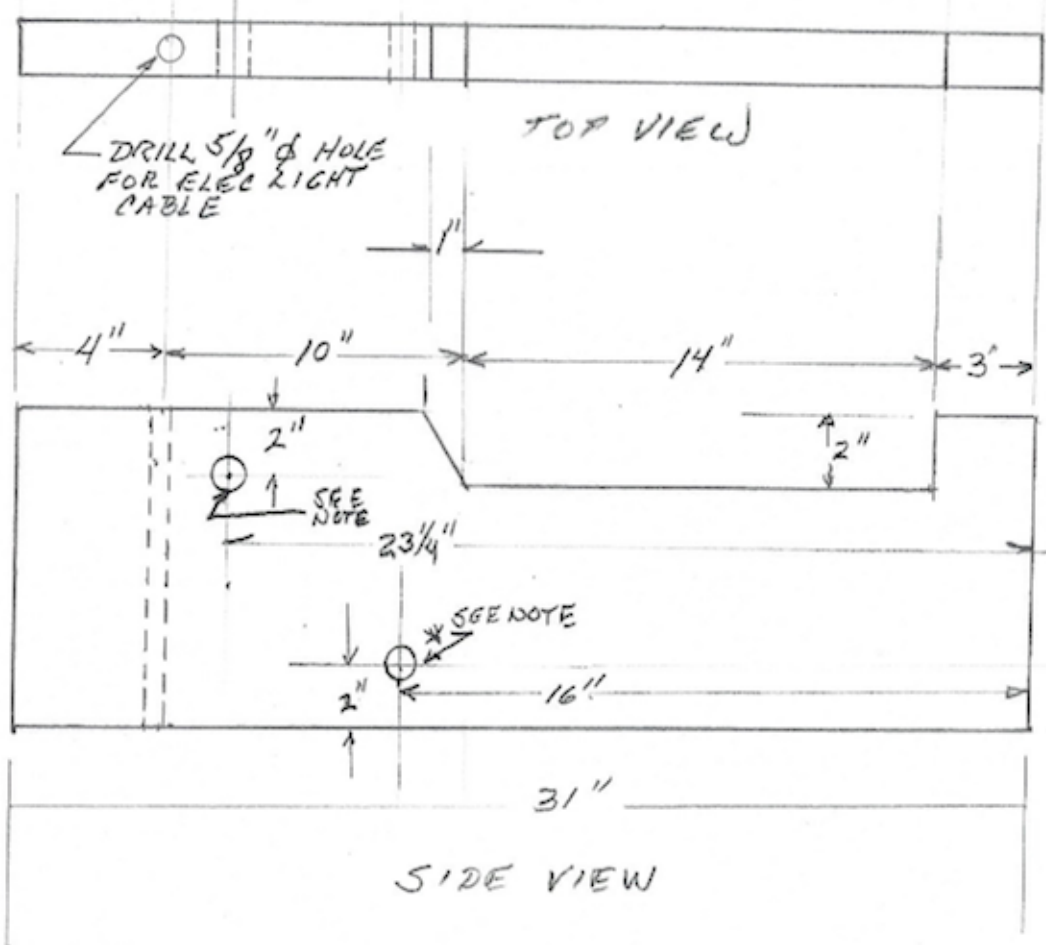
POST INSTALLATION DETAIL



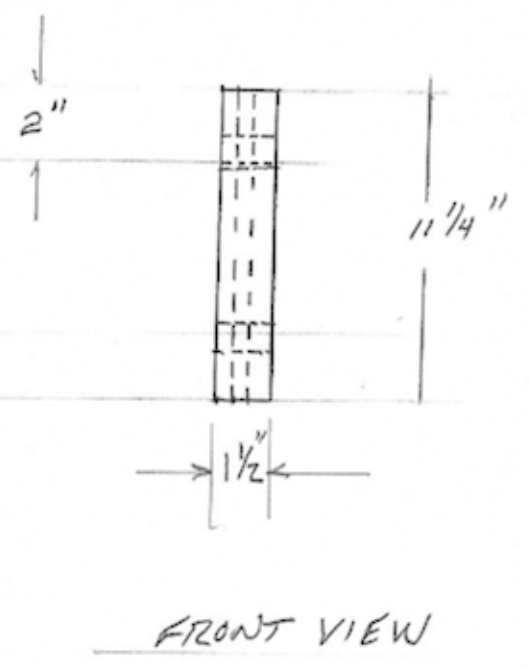
10/31/23
SH 3/5

CROSSARM CONSTRUCTION DETAIL

- PAINT: PRIMER - SHER-WILLIAMS EXT OILBASE WOOD PRIMER
- TOP COAT - SHER-WILLIAMS 'AFRICAN GRAY' EXTERIOR ACRYLIC LATEX SATIN
- CROSSARM - 2X12 PRESS TREATED PINE
- POSTS - 2X10 PRESS TREATED PINE
- BOX FRAME - 1X4 PT PINE OR CEDAR
- DOWELS - 1" DIAMETER HARDWOOD
- HARDWARE - USE STAINLESS OR EXT GRADE DECK SCREWS

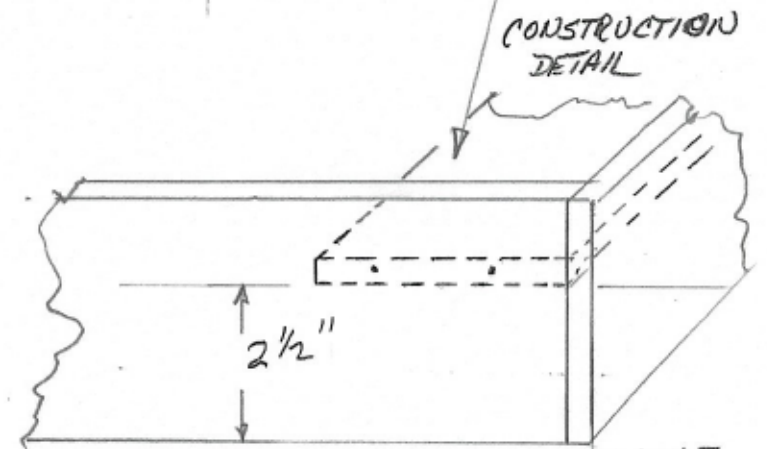
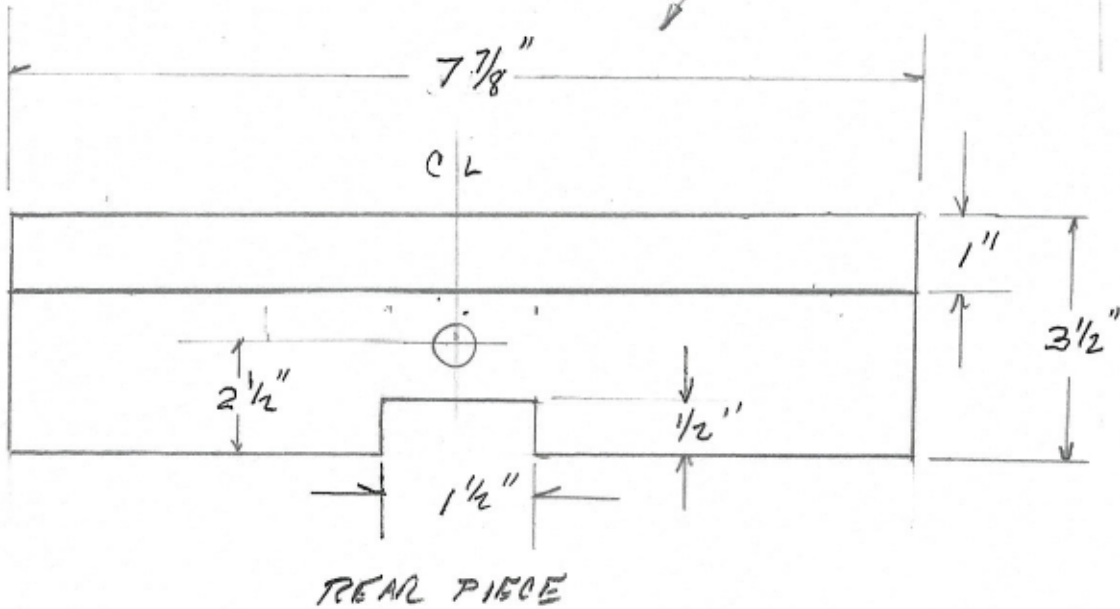
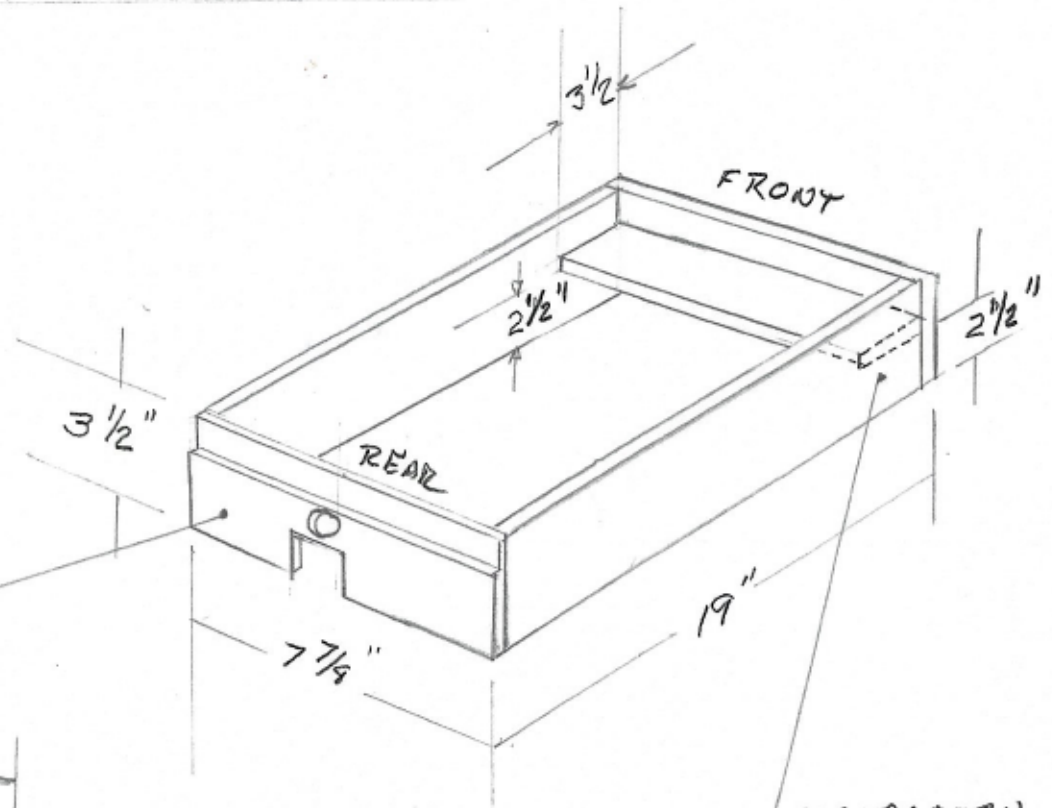
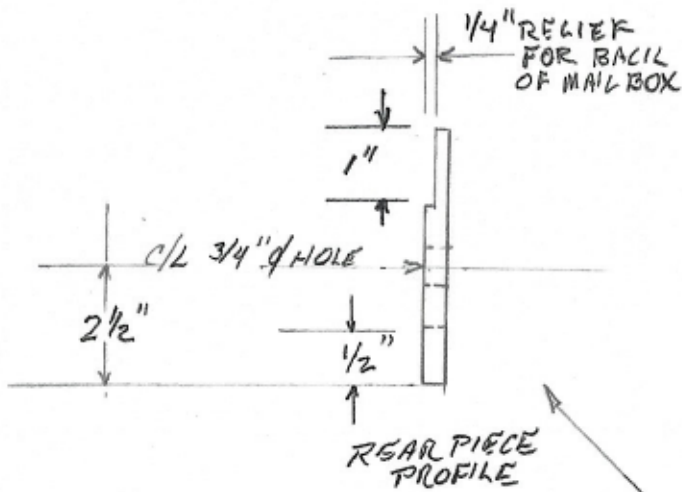


NOTE:
DRILL HOLES FOR DOWELS AFTER ASSEMBLY OF CROSS ARM TO UPRIGHT POSTS



10/31/23
SH 4/5

MAIL BOX SUPPORT FRAME



SECURE SHELF INSIDE THE FRAME
SO THE UNDERSIDE OF SHELF IS
 $2\frac{1}{2}$ " FROM BOTTOM OF FRAME

10/31/23
SH 5/5

ELECTRIC LAMP CABLE ROUTE

NOTE: CABLE CONNECTIONS/ELEC WORK
TO BE PERFORMED BY
A CERTIFIED/LICENSED
ELECTRICAL CONTRACTOR

PLATE BETWEEN
UPPER POSTS

MAILBOX
SUPPORT
FRAME

ACCESS HOLE
DRILLED INTO
REAR OF SUPPORT
FRAME

5/8" ϕ
HOLE THROUGH
CROSS ARM

CROSS ARM

120 V
JUNCTION BOX
w/
PHOTO CELL

